

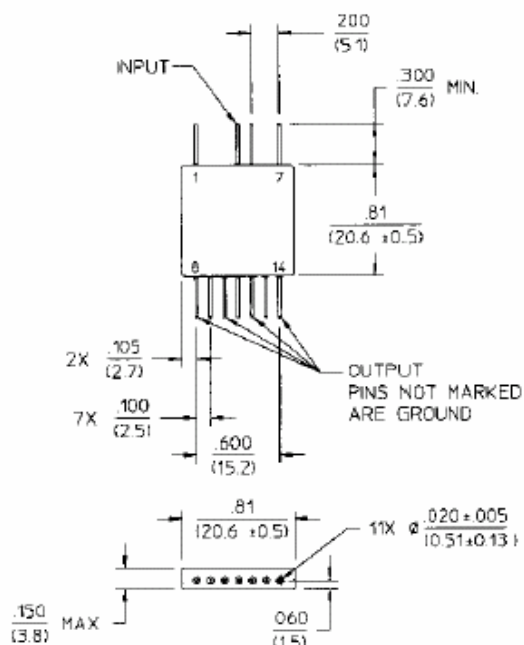
**Flatpack Four-Way Power Divider,  
25 - 1000 MHz**

**DS-324  
V3**

**Features**

- Insertion Loss: 0.5 dB Typical Midband
- Isolation: 38 dB Typical Midband
- VSWR: 1.2:1 Typical Midband
- Impedance: 50 Ohms Nominal
- Maximum Power Rating or Input Power: 1 Watt Max.
- Internal Load Dissipation: 0.05 Watts Max.
- MIL-STD-883 Screening Available

**FP-5**



**Description**

A Power Divider is ideally a lossless reciprocal device which can also perform vector summation of two or more signals and thus is sometimes called a power combiner or summer.

**Pin Configuration**

Pin No.	Function	Pin No.	Function
1	GND	8	Output
2	GND	9	GND
3	GND	10	Output
4	Input	11	GND
5	GND	12	Output
6	GND	13	GND
7	GND	14	Output

Dimensions in () are in mm  
Unless Otherwise Noted: XXX = ±0.010 (XX = ±0.25)  
XX = ±0.02 (X = ±0.5)  
WEIGHT (APPROX): 0.21 OUNCES 6 GRAMS

**Electrical Specifications<sup>1</sup>: T<sub>A</sub> = -55°C to +85°C**

Parameter	Test Conditions	Frequency	Units	Min	Typ	Max
Insertion Loss	Less Coupling	25 - 200 MHz	dB	—	—	0.75
		25 - 1000 MHz	dB	—	—	1.0
Isolation	—	25 - 1000 MHz	dB	20	—	—
Amplitude Balance	—	25 - 1000 MHz	dB	—	—	0.25
Phase Balance	—	25 - 500 MHz	°	—	—	3
		500 - 1000 MHz	°	—	—	6
VSWR	Input	25 - 500 MHz	Ratio	—	—	1.3:1
	Output	500 - 1000 MHz	Ratio	—	—	1.4:1

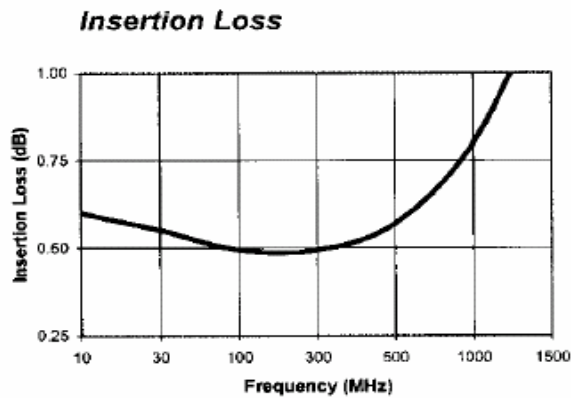
1. All specifications apply with 50 ohm source and load impedance.  
This product contains elements protected by United States Patent Number 3,428,920.

**Flatpack Four-Way Power Divider,  
25 - 1000 MHz**

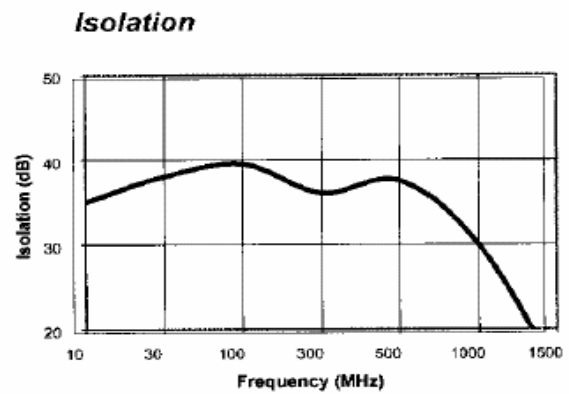
**DS-324  
V3**

**Typical Performance Curves**

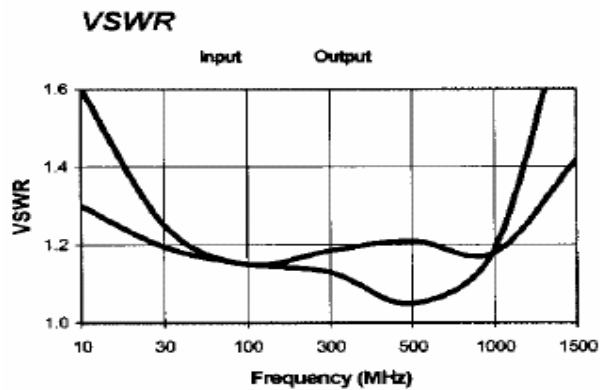
*Insertion Loss*



*Isolation*



*VSWR*



**Ordering Information**

Part Number	Package
DS-324 PIN	FP-5